





## Slovenská basketbalová asociácia

Trnavská cesta 37, 831 04 Bratislava, tel, fax: 02/491 14 545

www.slovakbasket.sk

e-mail: sekretariat@slovakbasket.sk

**Ďalšia na predkladanie ponúk uplynie dňa:**  
dátum a čas: 04.11.2020 12:00

### 13. Miesto na predloženie ponúk:

Uchádzač predloží ponuku emailom na adresu verejného obstarávateľa/osoby podľa § 8 ods. 1 ZoVO uvedenú v bode 1 a v termíne na predloženie ponuky. Uchádzač ponuku predloží v emailom s označením názvu a sídla uchádzača.

### **Obsah ponuky**

Uchádzač v ponuke predloží :

1. Vyplnený cenový návrh podľa Prílohy č.2 Špecifikácia ceny
2. Čestné vyhlásenie podľa Prílohy č. 3 tejto výzvy
3. Doklad podľa § 32 ods. 2 písm.e) ZoVO – o oprávnení dodávať služby, ktorý zodpovedá predmetu zákazky (výpis z OR, živnostenské oprávnenie a pod.)
4. Návrh na plnenie kritéria určeného verejným obstarávateľom/osobou podľa § 8 ods. 1 ZoVO na hodnotenie ponúk.



## Slovenská basketbalová asociácia

Trnavská cesta 37, 831 04 Bratislava, tel, fax: 02/491 14 545

www.slovakbasket.sk

e-mail: sekretariat@slovakbasket.sk

**Uchádzač (názov a sídlo):**

### NÁVRH NA PLNENIE KRITÉRIÍ

**Predmet zákazky : "Basketbalové koše a príslušenstvo"**

Cenová ponuka musí obsahovať celkovú cenu bez DPH a celkovú cenu s DPH. V prípade, že uchádzač nie je platcom DPH, uvedie to v cenovej ponuke.

**Návrh na plnenie kritéria č. 1**

Kritérium:

Najnižšia konečná zmluvná cena za predmet zákazky v EUR bez DPH.

(váha kritéria č.1: 100 bodov)

NÁVRH UCHÁDZAČA:

**Cena bez DPH: ..... EUR**

**DPH: ..... EUR**

**Cena s DPH: .....EUR**

V .....

Dňa: .....

**Podpis uchádzača:**

## Príloha č.1

### 1. Opis predmetu zákazky

Basketbalové koše s príslušenstvom:

1. 4 ks - Basketbalové koše s konštrukciou na svetelnú tabuľku merania 24 sekúnd a tabuľkou na meranie 24 sekúnd – 4ks
2. 2 ks - Náhradná basketbalová doska podľa popisu nižšie
3. 2 ks - Náhradná basketbalová obruč podľa popisu nižšie
4. Doprava a inštalácia

### Všeobecné požiadavky

Predmetom zákazky je zabezpečenie basketbalových košov podľa požiadaviek medzinárodnej basketbalovej federácie FIBA, na reprezentačné zápasy mužov a žien. Basketbalové koše musia spĺňať rozmery podľa špecifikácie nižšie. Basketbalový kôš musí mať certifikát FIBA Level 1.

### Backstop unit

There shall be 2 backstop units, 1 placed at each end of the playing court and each consisting of the following parts:

- 1 backboard.
- 1 basket ring with a ring mounting plate.
- 1 basket net.
- 1 **backboard** supportstructure.
- Padding.

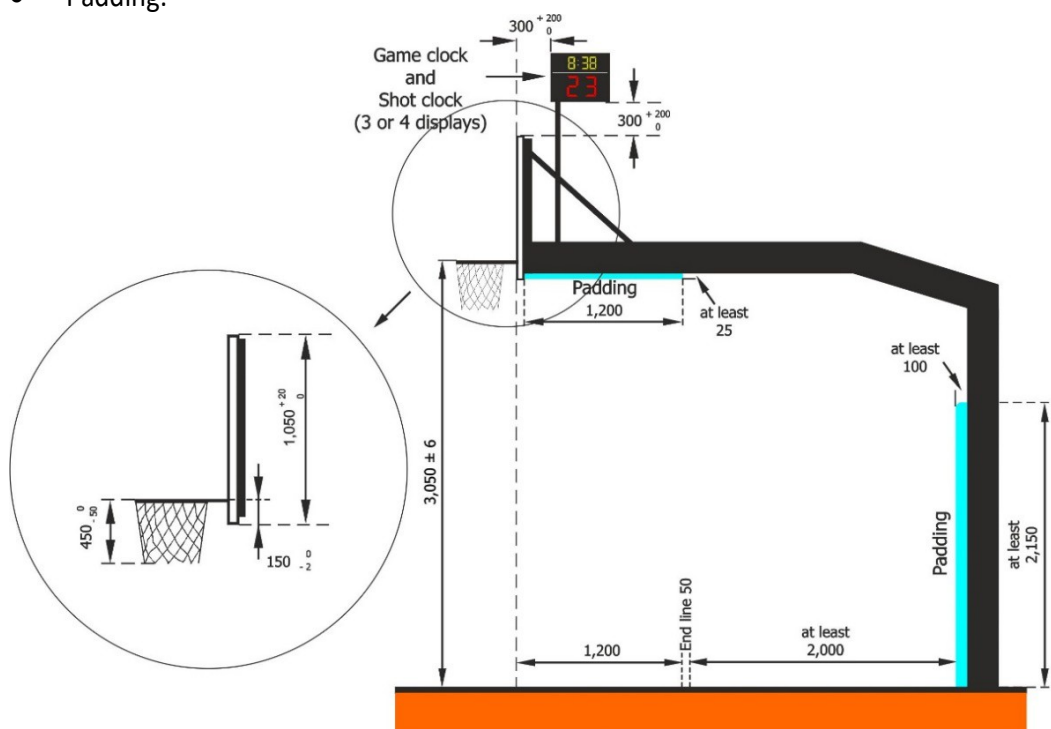


Diagram 1 Backstop unit level 1 (Shot clock option 1)

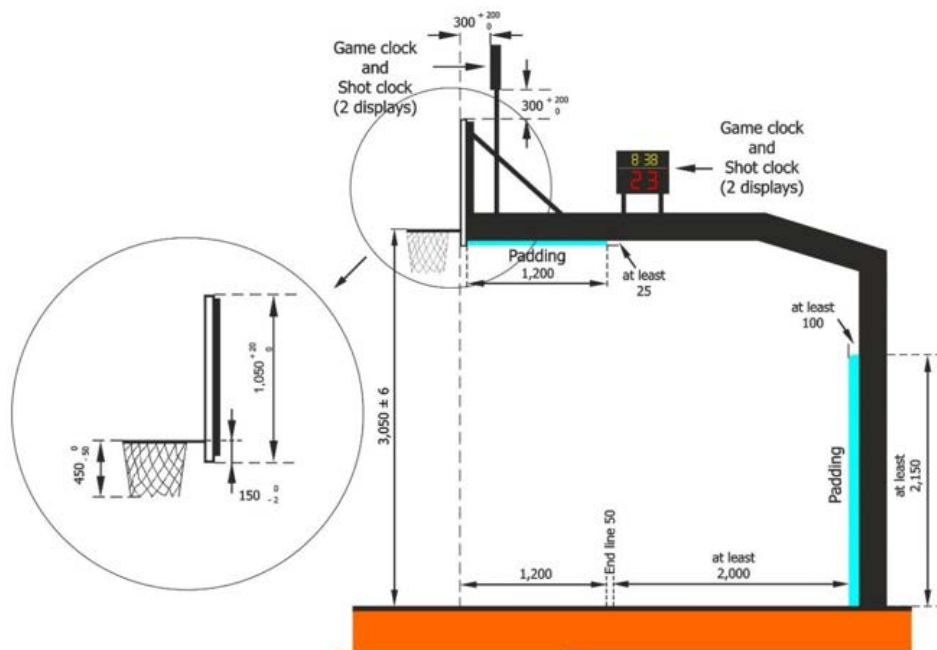


Diagram 2 Backstop unit level 1 (Shot clock option 2)

## 1.1 Backboard

1.1.1. For Level 1 the backboards shall be made of non-reflective laminated safety glass or tempered glass, with a thickness of between 11.8 mm and 13.5 mm, with a flat front surface and shall:

- Have a protective framework of the backboard support structure around the outer edge.
- Be manufactured such that, if broken, the pieces of glass do not split off or cause any risk of injury.

1.1.2. For Level 2, the backboards may be any of the following:

- Laminated/tempered glass (identical to Level 1)
- Transparent acrylic or polycarbonate
- Wood, fiberglass, steel or aluminium, painted white.

1.1.3. The backboards shall measure 1,800 mm (+ a maximum of 30 mm) horizontally and 1,050 mm (+ a maximum of 20 mm) vertically, including the frame.

1.1.4. All lines on the backboards shall be:

- In white, if the backboards are transparent.
- In black, if the backboards are painted white (Level 2 only).
- 50 mm in width.

1.1.5. The borders of the backboards shall be marked with a boundary line (Diagram 3) and an additional rectangle behind the ring as follows:

- Outsidedimensions: 590mm(+a maximum of 20mm) horizontally and 450mm(+a maximum of 8 mm) vertically.
- The top edge of the base of the rectangle shall be level with the top of the ring and 150 mm (- 2 mm) above the bottom edge of the backboard.

1.1.6. For Level 1, each backboard shall be equipped with a light strip around its perimeter, mounted on the inside borders of the backboards and which lights up in red only when the game clock signal sounds for the end of a quarter or overtime. The light strip shall be a minimum of 10 mm in width and cover a minimum of 90 % along the edge of the backboard glass area.

1.1.7. For Level 1, each backboard shall be equipped with a light strip along its perimeter at the top, mounted on the inside borders of the backboards, which lights up in yellow only when the shot clock signal sounds. The light strip shall be a minimum of 10 mm in width and be mounted directly below the red lighting for the game clock.

1.1.8. The backboards shall be firmly mounted on the backboard support structures at each end of the playing court at right angles to the playing floor, parallel to the endlines (Diagram 1 or 2). The central vertical line on their front surfaces, extended down to the playing floor, shall touch the point on the playing floor which lies 1,200 mm from the centre point of the inner edge of each endline, on an imaginary line drawn at right angles to this endline.

1.1.9. For Level 1, when a basketball is dropped onto the backboard, from 1.8 m, it shall rebound from it with a minimum rebounding height of 50 %.

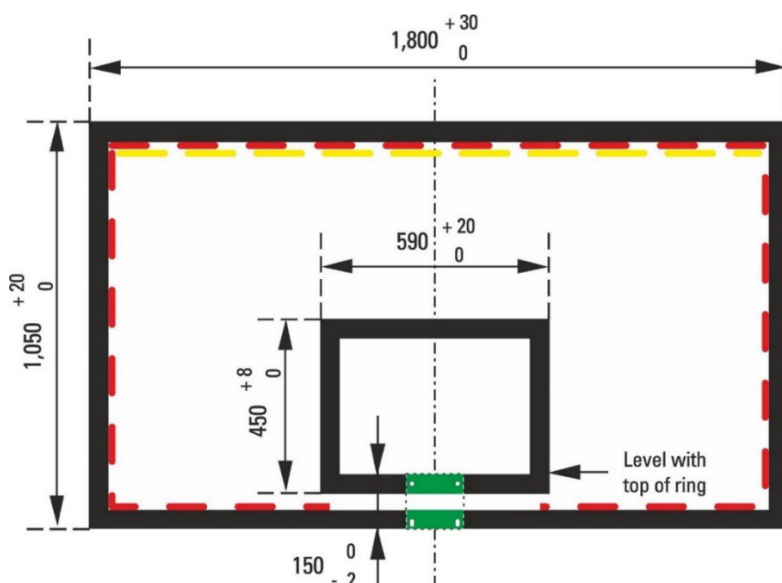


Diagram 3 Backboard markings

## 1.2 Basket ring

1.2.1 The rings shall be made of solid steel and shall:

- Have an inside diameter of a minimum of 450mm and a maximum of 459mm.
- Be painted orange within the following Natural Colour System (NCS) or RAL CLASSIC

## spectrums:

NCS:

S0580-Y70R (CMYK: 0, 63, 79, 4)

S0595-Y70R (CMYK: 0, 70, 82, 5)  
S1080-Y70R (CMYK: 0, 65, 85, 13)

RAL:

RAL2004 (CMYK: 0, 65, 87, 0)

RAL2008 (CMYK: 0, 70, 90, 0)  
RAL2010 (CMYK: 0, 78, 100, 0)

- Have its metal a minimum of 16 mm and a maximum of 20 mm in diameter.

1.2.2 The net shall be attached to each ring in 12 places. The fittings for the attachment shall:

- Not have any sharp edges or gaps,
- Have gaps smaller than 8 mm, to prevent fingers from entering,
- Not be designed as hooks for **Level 1**.

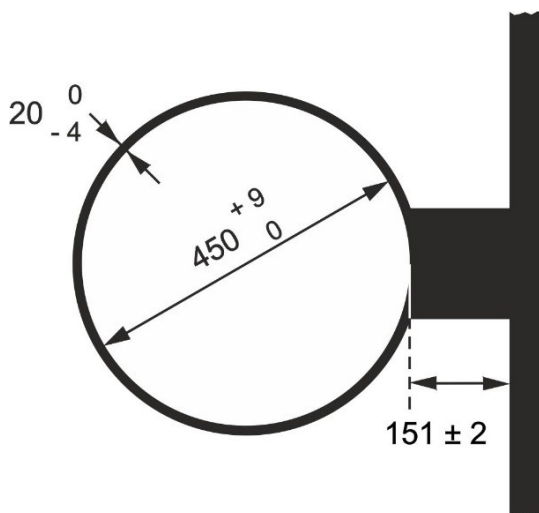


Diagram 4 Basket ring dimensions

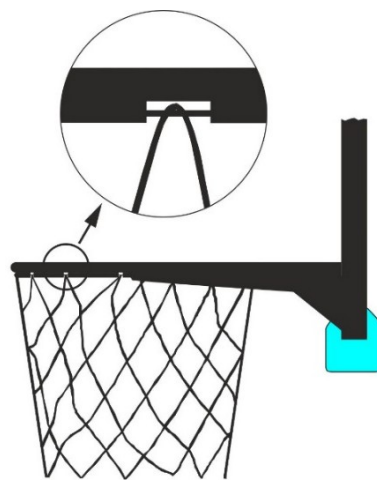


Diagram 5 Attachment of the net (example)

1.2.3 The rings shall be fixed to the backboard support structures in such a way that any force applied to the ring cannot be transferred to the backboard itself. Therefore, there shall be no direct contact between the ring mounting plate and the backboard (Diagram 6).

1.2.4 The top edge of each ring shall be positioned horizontally, 3,050 mm ( $\pm$  a maximum of 6 mm) above the floor, equidistant from the 2 vertical edges of the backboard.

1.2.5 The point on the inside circumference of the ring nearest the backboard shall be 151 mm ( $\pm$  a maximum of 2 mm) from the face of the backboard.

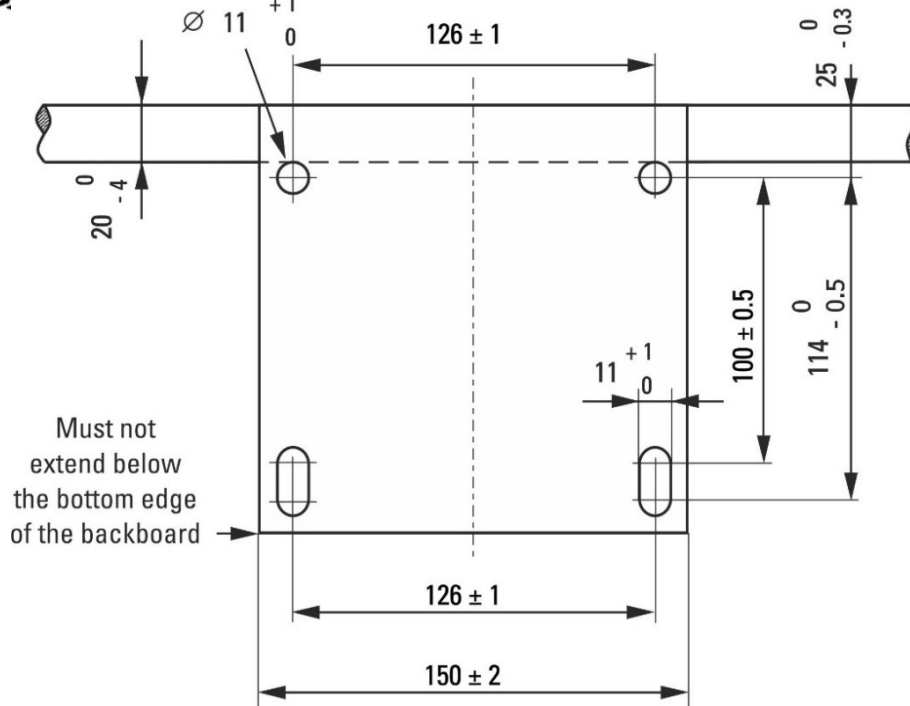


Diagram 6 Ring mounting plate (example dimensions)

1.2.6 For existing basket support structures, it is recommended that the ring mounting plate be fixed to the framework according to the measurements given in Diagram 7.

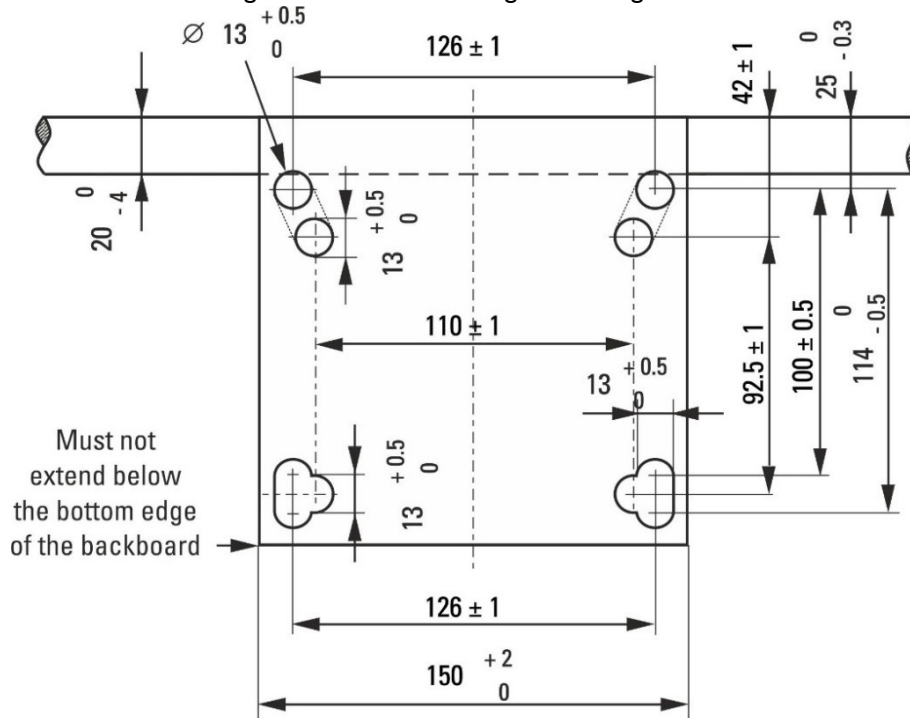


Diagram 7 Ring mounting plate for existing baskets (example dimensions)





# Slovenská basketbalová asociácia

Trnavská cesta 37, 831 04 Bratislava, tel, fax: 02/491 14 545

www.slovakbasket.sk

e-mail: sekretariat@slovakbasket.sk

## 1.2.7 Pressure release rings with the following specifications are required for Level 1 and also for Level 2 products requesting FIBA approval:

- The pressure release mechanism shall not cause any damage to either the ring or the backboard. The design of the ring and its construction shall be such that the players' safety is ensured.
- The pressure release rings shall have a 'positive-lock' mechanism which must not disengage until a static load of a minimum of 82 kg and a maximum of 105 kg has been applied vertically to the top of the ring at the most distant point from the backboard. The pressure release ring mechanism shall be adjustable within the given static load range.
- When the pressure release mechanism is released, the front or the side of the ring shall rotate no more than 30 degrees and no less than 10 degrees below the original horizontal position.
- After release and with the load no longer applied the rings shall return automatically and instantly to its original position. No fissures and no permanent deformation of the ring shall be observed.
- The rebound/elasticity of the ring and support system shall be within 35 % - 50 % energy absorption range of the total impact energy. Two opposing rings shall fall within 5% units of one another.

## 1.3 Basket net

### 1.3.1 The nets shall be made of white cord and shall be:

- Suspended from the rings.
- Manufactured so that they check the ball momentarily as it passes through the basket.
- No less than 400 mm and no more than 450 mm in length.
- Manufactured with 12 loops to attach it to the ring.

### 1.3.2 The upper section of the net shall be semi-rigid to prevent:

- The net from rebounding up through or over the ring, creating possible entanglement.
- The ball from becoming trapped in the net or rebounding back out of the net.

## 1.4 Backboard support structure

### 1.4.1 For Level 1, only mobile or floor-fixed backboard support structures shall be used. For Level 2, in addition to mobile or floor-fixed, ceiling mounted or wall mounted backboard support structures may also be used. Ceiling mounted backboards shall not be used in venues where suspension height exceeds 10,000 mm in order to avoid excessive vibration in the support structure.

### 1.4.2 The backboard support structure shall be:

- For Level 1, at a distance of at least 2,000 mm, measured from the outer edge of the endline to the front of the backstop padding (Diagram 1 or 2).
- For Level 2, at a distance of at least 1,000 mm, measured from the outer edge of the endline to the front of the backstop padding. For wall or ceiling mounted units this measurement shall be taken from the outer edge of the endline to the wall or nearest obstacle.
- Of a colour, that sufficiently contrasts with the background, so that it is clearly visible to the players.



## Slovenská basketbalová asociácia

Junácka 6, 832 80 Bratislava, tel: 02/4911 45 45

www.slovakbasket.sk

e-mail: sekretariat@slovakbasket.sk

Korešpondenčná adresa: Trnavská cesta 37, 831 04 Bratislava

- Secured to the playing floor so as to prevent any movement. If playing floor anchoring is not possible, sufficient ballast weight on the basket support base must be used to prevent any movement.
- Adjusted such as that once the top edge of the ring is at a height of 3,050 mm from the playing floor, this height cannot be changed.
- The rigidity of the backboard support structure with ring shall fulfil the requirements of EN1270.
- The vibration of the backboard support unit in which the displacement exceeds 5 mm, shall last less than 4 seconds after a dunk shot.

### 1.5 Padding

1.5.1 The backboard and backboard support structure must be padded.

1.5.2 The padding shall be of a single solid colour and shall be the same colour on both backboards and support structures.

1.5.3 The backboard padding shall be 20 to 27 mm thick from the front, back and side surface of the backboards. The padding shall be 48 to 55 mm thick from the bottom edge of the backboards.

1.5.4 The backboard padding shall cover the bottom surface of each backboard and the side surface to a distance of 350 to 450 mm from the bottom. The front and back surface must be covered to a minimum distance of 20 to 25 mm from the bottom of each backboard.

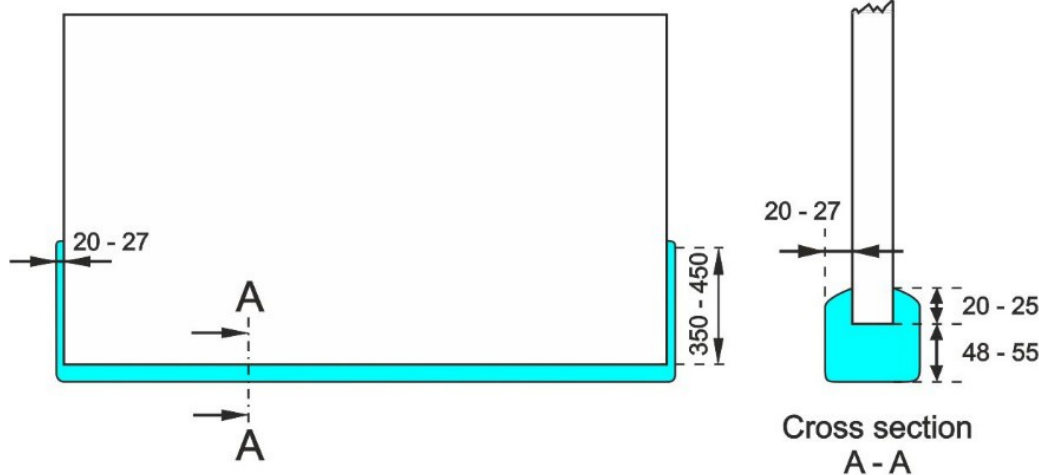


Diagram 8 Backboard padding

1.5.5 The padding of the backboard support structure shall cover:

- The vertical edges on each side, to a minimum height of 2,150 mm from the playing floor and with a minimum thickness of 100 mm (Diagram 1 or 2).
- The bottom and side surfaces of the supporting arm of the backboard, from the back surface of the backboard over a minimum length of 1,200 mm along the arm, with a minimum thickness of 25 mm



## Slovenská basketbalová asociácia

Junácka 6, 832 80 Bratislava, tel: 02/4911 45 45

[www.slovakbasket.sk](http://www.slovakbasket.sk)

e-mail: [sekretariat@slovakbasket.sk](mailto:sekretariat@slovakbasket.sk)

Korešpondenčná adresa: Trnavská cesta 37, 831 04 Bratislava

(Diagram 1 or 2).

**1.5.6 To protect players during impact all padding shall:**

- Be constructed so as to prevent limbs from being trapped.
- Have a maximum indentation factor of 50%. This means that when a force is applied suddenly to the padding, the indentation in the padding does not exceed 50% of its original thickness.
- Have a peak deceleration value of 500 m/s<sup>2</sup> or less.



## Slovenská basketbalová asociácia

Junácka 6, 832 80 Bratislava, tel: 02/4911 45 45

www.slovakbasket.sk

e-mail: sekretariat@slovakbasket.sk

Korešpondenčná adresa: Trnavská cesta 37, 831 04 Bratislava

### Príloha č 3 – čestné vyhlásenie

#### ČESTNÉ VYHLÁSENIE

#### UCHÁDZAČ :

**Predmet zákazky : “Basketbalové koše s príslušenstvo”**

#### **č e s t n e v y h l a s u j e ,**

že podľa § 32 ods. 1 písm. e) a f) v nadväznosti na § 117 ods. 5 zákona č. 343/2015 Z.z. o verejnom obstarávaní a o zmene a doplnení niektorých zákonov v znení neskorších predpisov **s p í ň a** podmienky účasti vo verejnom obstarávaní na predmet zákazky: **“basketbalové koše a príslušenstvo”**

1. je oprávnený dodávať tovar, uskutočňovať stavebné práce alebo poskytovať službu – podľa požiadaviek verejného obstarávateľa, ktoré preukazuje – dokladom o oprávnení dodávať tovar, uskutočňovať stavebné práce alebo poskytovať službu, ktorý zodpovedá predmetu zákazky (§ 32 ods. 2 písm. e);
2. nemá uložený zákaz činnosti vo verejnom obstarávaní potvrdený konečným rozhodnutím v Slovenskej republike alebo v štáte sídla, miesta podnikania alebo obvyklého pobytu (§ 32 ods. 2 písm. f) .

V Bratislave, dňa .....

Podpis uchádzača: